



An ISO 9001 Certified Company

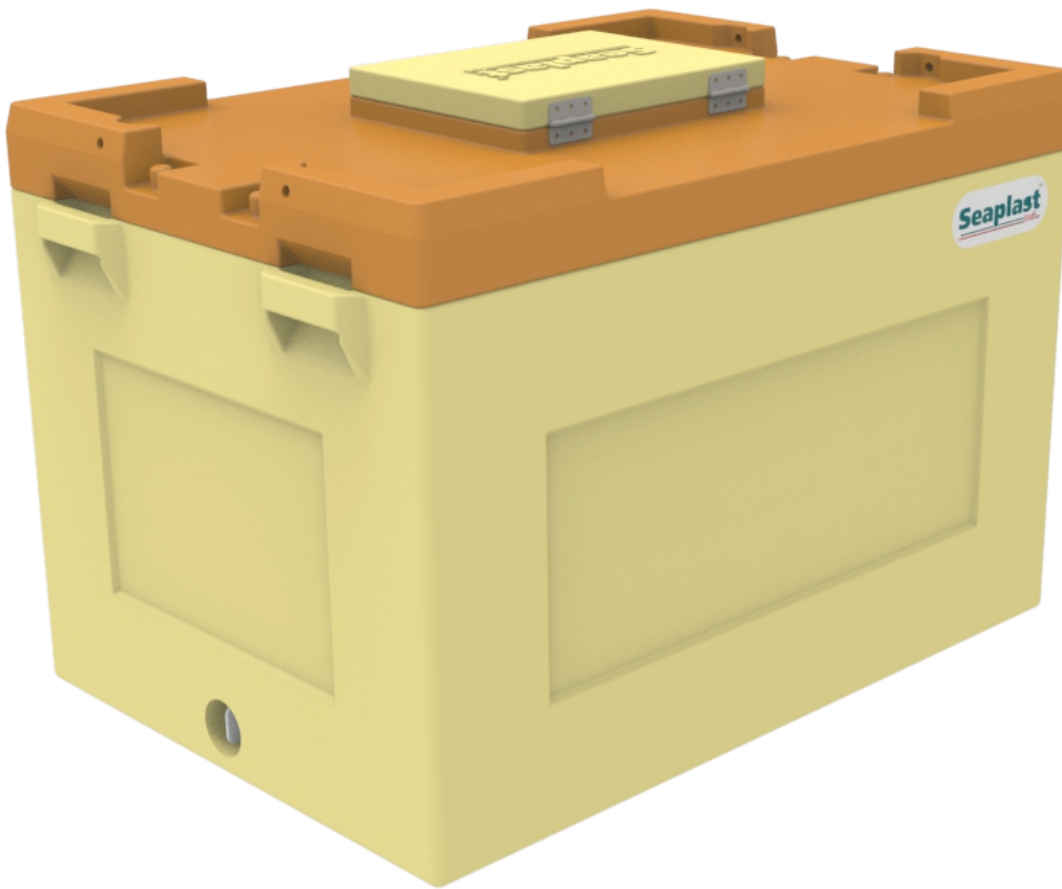
SINCE 1996

**Seaplast**<sup>TM</sup>  
**India**

Born in Iceland

[www.seaplastindia.com](http://www.seaplastindia.com)

# SI-150 VL



**EU/FDA APPROVED\***

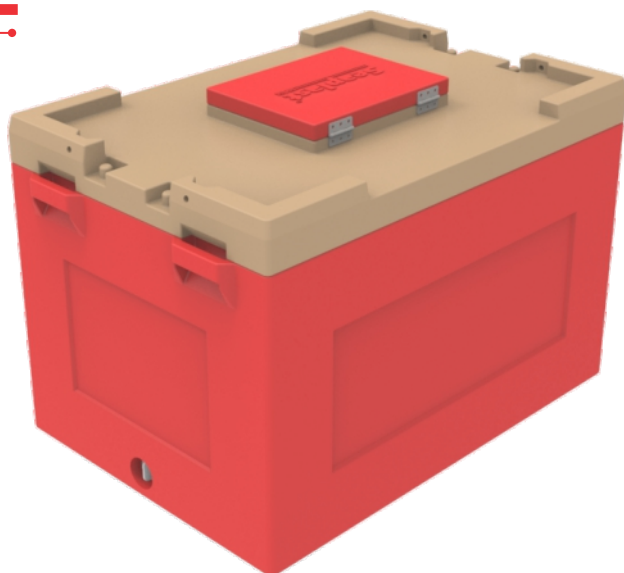


## YOUR PRODUCT DESERVES THE BEST

Seaplast™ a global leader and manufacture of rotomoulded products present to you double walled insulated containers used in various applications such as supply chain, storage, processing plants, cold room, retail distribution etc. to name a few. The products are designed in-house and manufactured in food grade raw material to maintain the quality, durability, value for money and longer life for the products stored inside. Our products give you peace of mind for longer duration and help in grow your business with our unmatched quality.

- 100% Food Grade Raw Material
- Top Quality PE Skin and PUR Insulation Quality
- Longer Life (Durability) with high impact strength and crack resistant
- Zero Bacterial Growth design, construction and non-porous body

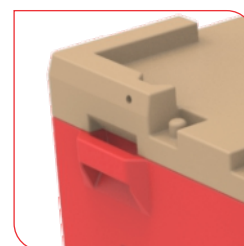
# SI-150 VL



**Strong Locking**



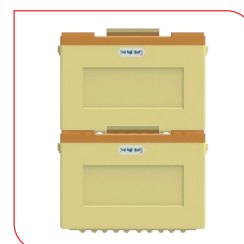
**Convenient Drainage**



**Strong Handle**



**Application**



**Stackable LID**

## Applications

SI-150 a product designed specially for ice-cream, seafood, fisheries, poultry etc. for storage and distribution. The unique design, insulation quality and accessories used in this products gives value for money. Insulation property of the box is good to withstand +45 degree outside temperature. Chill pad, water ice or dry ice can be used to maintain inside temperature for longer duration. The lid comes in plain with self lockable rubber strap.

## Salient Features

- Unique in-house design and construction for durability
- Use of certified Fit For Food (3F) Raw Material and virgin
- Raw material with the highest quality check, purity and UV stability
- Insulation properties (K-Value) highest to give longest cold & hot duration
- High impact and crack resistant product
- High quality accessories with zero corrosion
- Options of some products with drain and without drain facility\*
- Designed for easy handling - manually, in transit and in process
- Easy cleaning and bacteria free
- Option available for logo
- Easy tracking and accountability of each box with identification marking
- Packed in corrugate sheet and stretch wrapped
- Different colour combination possible\*

## Dimension Details

Model	External Dimension (mm)			Internal Dimension(Top)(mm)			Internal Dimension(Bottom)(mm)			Volume Liters
	L	W	H	L	W	H	L	W	H	
SI-150 VL	866	581	587	727	479	452	712	480	452	152

Colors Available\*: ● ● ● ● ● ● ● ● ● ●

Dealer/Distributor |

### Promens (India) Pvt Ltd

Office: B/402, Dev Aurum Commercial Complex, Anandnagar Cross Road, Prahladnagar Ahmedabad - 380 015, Gujarat, India. CIN No: U25201GJ1996PTC031114

☎ +91 79 4007 3880 🖨 +91 79 4007 3885 ✉ sales@seaplastindia.com

Factory: Survey No: 1658, B/H Gayatri Temple, B/H Rajpura Bus Stop, Gandhinagar-Mansa Road, Mansa-382 845, Gujarat, India. ☎ +91 2763 272873 / 271833



\*Terms and Condition Apply